

 **BOEING**
COMPONENT
MAINTENANCE MANUAL

TO: ALL HOLDERS OF OFF-WING ESCAPE SYSTEM SLIDE COMPARTMENT DOOR ASSEMBLY
COMPONENT MAINTENANCE MANUAL 25-65-55

REVISION NO. 7 DATED JUN 01/97

HIGHLIGHTS

Pages which have been added or revised are outlined below together with the highlights of the revision. Remove and insert the affected pages as listed and enter Revision No. and date to the Record of Revision Sheet.

CHAPTER/SECTION

AND PAGE NO.

501

DESCRIPTION OF CHANGE

Changed Item 60 to 70 in par.2. check section.

25-65-55

HIGHLIGHTS

01.1

Page 1

Jun 01/97



OFF-WING ESCAPE SYSTEM SLIDE COMPARTMENT DOOR ASSEMBLY

PART NUMBERS 416T2010-3 THRU -10

COMPONENT MAINTENANCE MANUAL
WITH
ILLUSTRATED PARTS LIST

25-65-55

TITLE PAGE

Page 1

Jan 01/92

01.1



REVISION RECORD

- Retain this record in front of manual. On receipt of revision, insert revised pages in the manual, and enter revision number, date inserted and initial.

REVISION NUMBER	REVISION DATE	DATE FILED	BY	REVISION NUMBER	REVISION DATE	DATE FILED	BY


BOEING
 COMPONENT
 MAINTENANCE MANUAL

TEMPORARY REVISION AND SERVICE BULLETIN RECORD

BOEING SERVICE BULLETIN	BOEING TEMPORARY REVISION	OTHER DIRECTIVE	DATE OF INCORPORATION INTO MANUAL
767-25A0174		PRR B10983 PRR B11382-3	OCT 10/84 JAN 01/92 JUL 01/92

25-65-55

TR & SB RECORD

01.1

Page 1

Jul 01/92


BOEING
 COMPONENT
 MAINTENANCE MANUAL

PAGE	DATE	CODE	PAGE	DATE	CODE
25-65-55			REPAIR-GENERAL		
			601	OCT 10/86	01.1
			602	JUL 10/83	01
TITLE PAGE			REPAIR 1-1		
1	JAN 01/92	01.1	601	JAN 01/92	01.1
2	BLANK		602	BLANK	
REVISION RECORD			REPAIR 2-1		
1	JUL 10/83	01	601	OCT 10/86	01.1
2	BLANK		602	OCT 10/86	01.1
TR & SB RECORD			ASSEMBLY		
1	JUL 01/92	01.1	701	JUL 10/83	01
2	BLANK		702	BLANK	
LIST OF EFFECTIVE PAGES			FITS AND CLEARANCES		
*1	JUN 01/97	01	801	JUL 10/83	01
THRU LAST PAGE			802	BLANK	
CONTENTS			ILLUSTRATED PARTS LIST		
1	OCT 10/86	01.1	1001	JUL 10/83	01
2	BLANK		1002	JAN 01/92	01.1
INTRODUCTION			1003	JAN 01/92	01.1
1	OCT 10/84	01.1	1004	JAN 01/92	01.1
2	BLANK		1005	JAN 01/92	01.1
DESCRIPTION & OPERATION			1006	JAN 01/92	01.1
1	OCT 10/84	01.1	1007	JAN 01/92	01.1
2	BLANK		1008	JAN 01/92	01.1
DISASSEMBLY			1009	JAN 01/92	01.1
301	OCT 10/86	01.1	1010	BLANK	
302	BLANK		1011	JAN 01/92	01.1
CLEANING			1012	JAN 01/92	01.1
401	OCT 10/86	01.1	1013	JAN 01/92	01.1
402	BLANK		1014	JUL 01/92	01.1
CHECK			1015	JAN 01/92	01.1
*501	JUN 01/97	01.1	1016	JAN 01/92	01.1
502	BLANK		1017	JAN 01/92	01.1
			1018	JAN 01/92	01.1
			1019	JAN 01/92	01.1
			1020	JAN 01/92	01.1
			1021	JAN 01/92	01.1
			1022	JAN 01/92	01.1

* = REVISED, ADDED OR DELETED

25-65-55

EFFECTIVE PAGES

CONTINUED Page 1

01 Jun 01/97

PAGE	DATE	CODE	PAGE	DATE	CODE
ILLUSTRATED PARTS LIST		CONT.			
1023	JAN 01/92	01.1			
1024	JAN 01/92	01.1			
1025	JAN 01/92	01.1			
1026	JUL 01/92	01.1			
1027	JAN 01/92	01.1			
1028	JAN 01/92	01.1			
1029	JAN 01/92	01.1			
1030	JAN 01/92	01.1			
1031	JAN 01/92	01.1			
1032	JAN 01/92	01.1			
1033	JAN 01/92	01.1			
1034	BLANK				

* = REVISED, ADDED OR DELETED

25-65-55

EFFECTIVE PAGES
 LAST PAGE Page 2
 01 Jun 01/97

TABLE OF CONTENTS

<u>Paragraph Title</u>	<u>Page</u>
Description and Operation.	1
Testing and Trouble Shooting (not applicable)	
Disassembly.	301
Cleaning	401
Check.	501
Repair	601
Assembly	701
Fits and Clearances.	801
Special Tools (not applicable)	
Illustrated Parts List	1001

25-65-55

CONTENTS

Page 1

Oct 10/86

01.1



INTRODUCTION

The instructions in this manual provide the information necessary to perform maintenance functions ranging from simple checks and replacement to complete shop-type repair.

This manual is divided into separate sections:

- | | |
|--|------------------------------|
| 1. Title Page | 4. List of Effective Pages |
| 2. Record of Revisions | 5. Table of Contents |
| 3. Temporary Revision &
Service Bulletin Record | 6. Introduction |
| | 7. Procedures & IPL Sections |

Refer to the Table of Contents for the page location of applicable sections. An asterisked flagnote *[] in place of the page number indicates that no special instructions are provided since the function can be performed using standard industry practices.

The beginning of the REPAIR section includes a list of the separate repairs and a list of applicable standard Boeing practices.

An explanation of the use of the Illustrated Parts List is provided in the Introduction to that section.

All weights and measurements used in the manual are in English units, unless otherwise stated. When metric equivalents are given they will be in parentheses following the English units.

Design changes, optional parts, configuration differences and Service Bulletin modifications create alternate part numbers. These are identified in the Illustrated Parts List (IPL) by adding an alphabetical character to the basic item number. The resulting item number is called an alpha-variant. Throughout the manual, IPL basic item number references also apply to alpha-variants unless otherwise indicated.

Verification:

Assembly July/82

25-65-55

INTRODUCTION

01.1

Page 1

Oct 10/84



OFF-WING ESCAPE SYSTEM SLIDE COMPARTMENT DOOR ASSEMBLY

DESCRIPTION AND OPERATION

1. Description and Operation

A. The off-wing escape system slide compartment door assembly is composed of an aramid/graphite epoxy honeycomb panel, five hinges, nine inserts for packboard attachment, and two packboard guide pins. The door assembly encloses the escape slide system compartment.

2. Leading Particulars (Approximate)

Height -- 30 inches
Length -- 63 inches
Width -- 3 inches
Weight -- 28 pounds

25-65-55

DESCRIPTION & OPERATION

01.1

Page 1

Oct 10/84



DISASSEMBLY

1. Use standard industry practices for disassembly of this component.

NOTE: Disassemble this component only as necessary to complete fault isolation, determine the serviceability of parts, perform required repairs, and restore the unit to serviceable condition.

25-65-55

DISASSEMBLY

01.1

Page 301

Oct 10/86

CLEANING

CAUTION: DO NOT VAPOR DEGREASE GRAPHITE/ARAMID EPOXY STRUCTURES WITH CHLORINATED CLEANING AGENTS SUCH AS METHYLENE CHLORIDE, TRICHLOROETHYLENE, AND TRICHLOROETHANE. CHLORINATED CLEANING AGENTS WILL CAUSE DAMAGE TO GRAPHITE/ARAMID EPOXY STRUCTURES.

1,1,1-TRICHLOROETHANE IS ONE OF THE SOLVENTS ALLOWED FOR CLEANING COMPOSITE COMPONENTS. DO NOT SUBMERGE PARTS IN THE SOLVENT OR ALLOW STANDING SOLVENT ON THE PARTS OR DAMAGE MAY OCCUR. USE 1,1,1-TRICHLOROETHANE ONLY AS A WIPE SOLVENT.

1. Clean all parts, except for graphite/aramid epoxy structures, in accordance with standard industry practices (Ref 20-30-03) plus the following steps.

2. General

CAUTION: EXERCISE CARE TO PREVENT SOLVENT FROM ENTERING FLAP STRUCTURE. CLEAN STRUCTURE AS NECESSARY WITH CLOTH DAMPENED WITH SOLVENT, SPECIFICATION P-D-680.

A. Wash all metal parts removed from assembly, except bearings, with solvent, Specification P-D-680, or equivalent.

B. Use stiff bristle brush to remove stubborn accumulations of foreign matter.

C. Drain and dry all parts with clean lint-free cloth or clean moisture-free air.

25-65-55CLEANING
Page 401
Oct 10/86

01.1

CHECK

1. Check all parts for obvious defects in accordance with standard industry practices.
2. Magnetic particle examination per 20-20-01 -- pins (70, 130, 375, IPL Fig. 1), caps (65, 125, 370).
3. Penetrant examination per 20-20-02 -- forward upper hinge fitting (80, 82), aft upper hinge fitting (140, 142), panel guide pins (305).
4. Check honeycomb and bonded parts for evidence of delamination, internal water, scratches, and contour defects.
 - A. Examine for delamination ultrasonically.
 - B. Examine areas suspected of containing water radiographically to determine extent of damage.
 - C. Examine edges of panel carefully for cuts and abrasions. Delamination starts very easily from damage to an exposed edge of honeycomb panel.
 - D. Refer to 767 Structural Repair Manual 52-40-02 for allowable damage data.

25-65-55

CHECK

01.1

Page 501

Jun 01/97


BOEING
 COMPONENT
 MAINTENANCE MANUAL
REPAIR – GENERAL1. Content

- A. Repair, refinish and replacement procedures are included in separate repair sections as follows:

<u>P/N</u>	<u>NAME</u>	<u>REPAIR</u>
416T2024	PANEL ASSY	1-1
416T2016	FORWARD UPPER HINGE ASSY	DELETED
416T2015	AFT UPPER HINGE ASSY	DELETED
416T2023	CENTER UPPER HINGE ASSY	DELETED
416T2025	LOWER HINGE ASSY	DELETED
-----	MISCELLANEOUS PARTS	6-1

2. Standard Practices

- A. Refer to the following standard practices as applicable, for details in individual procedures.

20-10-01	Repair and Refinish of High Strength Steel Parts
20-10-06	Repair of Conductive Coatings
20-30-02	Stripping of Protective Finishes
20-30-03	General Cleaning Procedures
20-41-01	Decoding Table for Boeing Finish Codes
20-43-01	Chromic Acid Anodizing
20-50-11	Application of Aerodynamic Smoothing Sealant
20-70-01	Protection, Storage, and Handling of Airplane Components

3. Materials

NOTE: Equivalent substitutes may be used.

- A. Coating, conductive -- BMS 10-21, type 1 (Ref 20-60-04)
- B. Compound, potting -- BMS 5-28, type 7 (Ref 20-60-04)
- C. Conditioner, static -- Dexter 28-C-1 (Ref 20-60-04)

25-65-55

REPAIR-GENERAL

01.1

Page 601

Oct 10/86

D. Enamel (Ref 20-60-02)

- (1) BMS 10-60 gloss, BAC707 gray
- (2) BMS 10-60 gloss, BAC7025 gray

E. Primer (Ref 20-60-02)

- (1) BMS 10-11, type 1
- (2) BMS 10-79, type 2

F. Sealant -- BMS 5-95 (Ref 20-60-04)

G. Surfacer (Ref 20-60-04)

- (1) Dexter 8-W-5
- (2) Epocast 156

25-65-55

REPAIR-GENERAL

01 Page 602

Jul 10/83

PANEL ASSEMBLY – REPAIR 1-1

416T2024-1, -2, -27, -28

NOTE: Refer to REPAIR-GEN for list of applicable standard practices.

1. Insert Replacement (490, 495, 500, IPL Fig. 1)

- A. If inserts require replacement, replace using potting compound BMS 5-28, type 7. Scribe reference marks on surrounding structure with sharp pencil to assist in centering new insert.

2. Refinish

- A. Panel assembly (480, 485) -- Seal all cut edges and fay seal using BMS 5-95 sealant. Finish convex external surface: prepare surface and apply Dexter 28-C-1 static conditioner plus Dexter 8-W-5 or Epocast 156 surfacer (SRF-14.672) all over. Prepare surface and apply BMS 10-21, type 1 conductive coating (SRF-14.68) all over. Apply one coat BMS 10-79, type 2 primer and BMS 10-60, type 2 gloss enamel, BAC707 gray (F-19.40) all over. Coat countersunk bonding jumper area and hole, using BMS 5-95 sealant. After cure, coat area, using BMS 10-21, type 1 conductive coating (SRF-14.68).

25-65-55

REPAIR 1-1

01.1

Page 601

Jan 01/92

MISCELLANEOUS PARTS - REPAIR 6-1

1. Repair of parts listed in Fig. 601 consists of restoration of the original finish.

IPL FIG. & ITEM	MATERIAL	FINISH
<u>Fig. 1</u>		
Pin (305)	303 CRES	Passivate (F-17.09).
Brackets (210,215, 220,225,390,395) Spacer (258)	Al alloy	Chromic acid anodize and apply one coat BMS 10-11, type 1 primer (F-18.13) all over. Apply BMS 10-60, BAC707 gray gloss enamel (SRF-14.9813) all over.
Pins (70,130,375)	17-4PH CRES 180-200 ksi	Passivate (F-17.09). Apply one coat BMS 10-11, type 1 primer (F-20.02) and BMS 10-60, BAC7025 gray gloss enamel (SRF-14.9814) all over head of pin.
Caps (65,125,370)	17-4PH CRES	Passivate (F-17.09). Apply one coat BMS 10-11, type 1 primer (F-20.02) and BMS 10-60, BAC7025 gray gloss enamel (SRF-14.9814) all over, except omit primer and enamel from threads. Overspray allowed in pin hole.
Seal retainers (150,155,175,180, 245,250,255,260, 310,315,415,420, 425,430,435,440, 445,450)	Al alloy	Chromic acid anodize and apply one coat BMS 10-11, type 1 primer (F-18.13) and BMS 10-60, BAC707 gray gloss enamel (SRF-14.9813) all over.
Target (257)	4130 steel	Cadmium plate per 20-42-05, type 2, class 2. Apply one coat BMS 10-11, type 1 primer (F-16.01) all over. Apply BMS 10-60, BAC707 gray gloss enamel (SRF-14.9813) all over.

Refinish Details
 Figure 601 (Sheet 1)

25-65-55

REPAIR 2-1

01.1

Page 601

Oct 10/86

IPL FIG. & ITEM	MATERIAL	FINISH
Hinge (80,82,140,142)	Al alloy	Chromic acid, type 1, or sulfuric acid anodize, type 2, (F-17.05). Apply one coat BMS 10-11, type 1 primer (F-20.02) plus one coat BMS 10-60, BAC 707 gray gloss enamel (SRF-14.9813) all over, except omit primer and enamel in hinge and bushed holes.
Hinge (87,147,382,387)	Al alloy	Chromic acid anodize, type 1, and apply one coat of BMS 10-11, type 1 primer per 20-41-02 (F-18.13). Apply BMS 10-60; BAC 707 gray gloss enamel (SRF 14.9813) all over, except omit primer and enamel in hinge hole.

Refinish Details
Figure 601 (Sheet 2)

25-65-55

REPAIR 2-1

01.1

Page 602

Oct 10/86

ASSEMBLY1. Materials

NOTE: Equivalent substitutes may be used.

A. Sealant -- BMS 5-95 (Ref 20-60-04)

2. Assembly (IPL Fig. 1)

A. Use standard industry practices for assembly of this component, and additional procedures in following steps.

B. Assemble hinge assemblies (30, 35, 90, 95, 345).

(1) Tighten caps (65, 125, 370) no more than 12-15 pound-inches.

C. Assemble door assembly (1, 5).

NOTE: Install all bolts, nuts, and washers using BMS 5-95 sealant. Fair seal over nuts and washers.

(1) Place centerlines of hinge assemblies (30, 35, 90, 95, 345) 0.02 inch (plus 0.01 inch or minus 0.02 inch) above bottom edge of door. Hinge centerlines through all five hinges must be straight within 0.010 T.I.R.

(2) Install bonding cable (10) per 20-11-03. On bonding fastener, use 0.010 ohms maximum resistance value. Test per 20-11-03.

(3) Apply faying surface sealant BMS 5-95 between target (257) and spacer (258).

(4) Install seals (200, 205, 280, 335, 340, 470, 475) so that bulb of seal is flush with edge of door, +0.00 inch or minus 0.03 inch. Trim excess on diagonal edges of seals.

25-65-55

01

ASSEMBLY
Page 701
Jul 10/83

FITS AND CLEARANCES

FOR TORQUE VALUES OF STANDARD FASTENERS, REFER TO 20-50-01			
ITEM NO. IPL FIG. 1	NAME	TORQUE	
		POUND-INCHES	POUND-FEET
65	Cap	12-15 max	
125	Cap	12-15 max	
370	Cap	12-15 max	

Torque Table
 Figure 801

25-65-55

FITS AND CLEARANCES
 01 Page 801
 Jul 10/83



ILLUSTRATED PARTS LIST

1. This section lists and illustrates replaceable or repairable component parts. The Illustrated Parts Catalog contains a complete explanation of the Boeing part numbering system.
2. Indentures show parts relationships as follows:

Assembly

Detail Parts for Assembly

Subassembly

Attaching Parts for Subassembly

Detail Parts for Subassembly

Detail Installation Parts (Included only if installation parts may be returned to shop as part of assembly)

3. One use code letter (A, B, C, etc.) is assigned in the EFF CODE column for each variation of top assembly. All listed parts are used on all top assemblies except when limitations are shown by use code letter opposite individual part entries.
4. Letter suffixes (alpha-variants) are added to item numbers for optional parts, Service Bulletin modification parts, configuration differences (except left- and right-hand parts), product improvement parts, and parts added between two sequential item numbers. The alpha-variant is not shown on illustrations when appearance and location of all variants of the part is the same.
5. Service Bulletin modifications are shown by the notations PRE SB XXXX and POST SB XXXX.
 - A. When a new top assembly part number is assigned by Service Bulletin, the notations appear at the top assembly level only. The configuration differences at detail part level are then shown by use code letter.
 - B. When the top assembly part number is not changed by the Service Bulletin, the notations appear at the detail part level.

6. Parts Interchangeability

Optional
(OPT)

The parts are optional to and interchangeable with other parts having the same item number.

Supersedes, Superseded By
(SUPSDS, SUPSD BY)

The part supersedes and is not interchangeable with the original part.

Replaces, Replaced By
(REPLS, REPLD BY)

The part replaces and is interchangeable with, or is an alternate to, the original part.

25-65-55

ILLUSTRATED PARTS LIST

01

Page 1001

Jul 10/83

VENDORS

06710 LAMSON AND SESSIONS CO THE VALLEY-TODECO
12975 BRADLEY AVENUE
SYLMAR, CALIFORNIA 91342-3830

06725 AIR INDUSTRIES CORPORATION
12570 KNOTT STREET
GARDEN GROVE, CALIFORNIA 92641-3932

06950 SCREWCORP VSI CORP AEROSPACE PRODUCTS DIV FAIRCHILD IND INC
13001 EAST TEMPLE AVE. PO BOX 730
CITY OF INDUSTRY, CALIFORNIA 91746-1417

08524 DEUTSCH FASTENER CORP SEE CODE V97928

11815 CHERRY AEROSPACE FASTENERS DIV OF TEXTRON
1224 EAST WARNER AVENUE PO BOX 2157
SANTA ANA, CALIFORNIA 92707

15653 KAYNAR MICRODOT AEROSPACE FASTENING SYSTEM
800 SOUTH COLLEGE BLVD PO BOX 3001
FULLERTON, CALIFORNIA 92634-3001

17943 FEDERAL MANUFACTURING CORPORATION
6910 FARMDALE AVENUE
NORTH HOLLYWOOD, CALIFORNIA 91605-6210

27624 PAUL R BRILES INC P.B. FASTENER DIV
1700 WEST 132ND STREET PO BOX 1157
GARDENA, CALIFORNIA 90249-2008

52828 REPUBLIC FASTENER MFG CORP
1300 RANCHO CONEJO BLVD
NEWBURY PARK, CALIFORNIA 91320-1405

56878 SPS TECHNOLOGIES INC AEROSPACE AND INDUSTRIAL PRODUCTS DIV
HIGHLAND AVENUE
JENKINTOWN, PENNSYLVANIA 19046

71087 BOOTS ACFT NUT DIV TOWNSEND CO SEE TEXTRON INC CHERRY
FASTENER TOWNSEND DIV V11815

72962 ELASTIC STOP NUT A DIV OF HARTFORD INDUSTRIES INC
2330 VAUXHALL ROAD
UNION, NEW JERSEY 07083-5038

73197 HI-SHEAR TECHNOLOGY CORP
2600 SKYPARK DRIVE
TORRANCE, CALIFORNIA 90509

25-65-55

ILLUSTRATED PARTS LIST
01.1 Page 1002
Jan 01/92

VENDORS

80539 SPS TECHNOLOGIES INC AEROSPACE PRODUCTS DIV
2701 SOUTH HARBOR BOULEVARD PO BOX 1259
SANTA ANA, CALIFORNIA 92702-1259

83014 HARTWELL CORPORATION
900 SOUTH RICHFIELD ROAD
PLACENTIA, CALIFORNIA 92670-6732

91812 JANCO CORPORATION
3111 WINONA AVENUE, PO BOX 3038
BURBANK, CALIFORNIA 91504-2543

92215 VOI-SHAN DIV OF VSI CORP SUB OF FAIRCHILD INDUSTRIAL INC
8463 HIGUERA STREET
CULVER CITY, CALIFORNIA 90230

93907 TEXTRON INC CAMCAR DIV
600 18TH AVENUE
ROCKFORD, ILLINOIS 61101

97928 DEUTSCH FASTENER CORP
3969 PARAMONT BOULEVARD
LAKEWOOD, CALIFORNIA 90712-4193

25-65-55ILLUSTRATED PARTS LIST
01.1 Page 1003
Jan 01/92

PART NUMBER	AIRLINE PART NO.	FIG.	ITEM	TTL REQ
AN960-416L		1	20A	1
AN960C10L		1	254	2
AN960D416L		1	21	1
AN960PD08		1	165	
		1	190	
		1	270	
		1	325	
		1	460	
AN960PD10		1	295	8
AN960PD416		1	50	6
		1	110	7
		1	235	4
		1	355	6
		1	405	2
AN960PD416L		1	20	
AN960PD8		1	165A	3
		1	190A	3
		1	270A	29
		1	325A	16
		1	460A	12
BACB28U10B014		1	84B	2
		1	144B	2
BACB28Y10M014		1	84A	2
		1	144A	2
BACB28Y10M14		1	84	
		1	144	
BACB30LH2-5		1	160	3
		1	185	3
		1	265	29
		1	320	16
		1	455	12
BACB30LH4-10		1	15A	1
BACB30LH4-9		1	15	
BACB30NN3K5		1	290	8
BACB30NN3K7		1	253	2
BACB30NN4K5		1	400	2
BACB30NN4K6		1	40	5
		1	100	6
		1	230	4
		1	350	6
BACB30NN4K9		1	45	1
		1	105	1
BACJ40AB22-8		1	10	1

25-65-55

 ILLUSTRATED PARTS LIST
 01.1 Page 1004
 Jan 01/92


BOEING
 COMPONENT
 MAINTENANCE MANUAL

PART NUMBER	AIRLINE PART NO.	FIG.	ITEM	TTL REQ
BACN10JC08		1	170	A9
		1	195	A9
		1	275	A9
		1	330	A9
		1	465	A9
		1	256	A9
BACN10JC3		1	300	A9
BACN10JC4		1	25	A9
		1	55	A9
		1	115	A9
		1	240	A9
		1	360	A9
		1	410	A9
BRH10A08		1	170	A9
		1	195	A9
		1	275	A9
		1	330	A9
		1	465	A9
		1	256	A9
BRH10A3		1	300	A9
BRH10A4		1	25	A9
		1	55	A9
		1	115	A9
		1	240	A9
		1	360	A9
		1	410	A9
H10-08BAC		1	170	AR
		1	195	AR
		1	275	AR
		1	330	AR
		1	465	AR
		1	256	AR
H10-3BAC		1	300	AR
H10-4BAC		1	25	AR
		1	55	AR
		1	115	AR
		1	240	AR
		1	360	AR
		1	410	AR
H2055-5		1	285	4
		1	302	
H2055-7		1	285A	4
		1	302A	1
MS16265-193		1	120	
MS16562-193		1	60	1
		1	365	1
		1	120A	1

25-65-55

ILLUSTRATED PARTS LIST

01.1

Page 1005

Jan 01/92

PART NUMBER	AIRLINE PART NO.	FIG.	ITEM	TTL REQ
NAS1832C3-3		1	490	2
NAS1834C4K790		1	495	4
NAS1834C4K820		1	500	5
NS202101-02		1	256	A9
		1	300	A9
NS202101-048		1	25	A9
		1	55	A9
		1	115	A9
		1	240	A9
		1	360	A9
		1	410	A9
NS202101-82		1	170	A9
		1	195	A9
		1	275	A9
		1	330	A9
		1	465	A9
RMLH9075-3W		1	256	A9
		1	300	A9
RMLH9075-4W		1	25	A9
		1	55	A9
		1	115	A9
		1	240	A9
		1	360	A9
		1	410	A9
RMLH9075-82W		1	170	A9
		1	195	A9
		1	275	A9
		1	330	A9
		1	465	A9
T6S1032J		1	256	A9
		1	300	A9
T6S428J		1	25	A9
		1	55	A9
		1	115	A9
		1	240	A9
		1	360	A9
		1	410	A9
T6S832J		1	170	A9
		1	170	A9
		1	195	A9
		1	195	A9
		1	275	A9
		1	275	A9
		1	330	A9
		1	330	A9
		1	465	A9
		1	465	A9

25-65-55

 ILLUSTRATED PARTS LIST
 01.1 Page 1006
 Jan 01/92


BOEING
 COMPONENT
 MAINTENANCE MANUAL

PART NUMBER	AIRLINE PART NO.	FIG.	ITEM	TTL REQ
VN303A02		1	256	A9
		1	300	A9
VN303A048		1	25	A9
		1	55	A9
		1	115	A9
		1	240	A9
		1	360	A9
		1	410	A9
VN303A82		1	170	A9
		1	195	A9
		1	275	A9
		1	330	A9
		1	465	A9
115110-1		1	301A	1
284T0493-1		1	257	1
284T0494-1		1	258	1
416T2010-1		1	1	
416T2010-10		1	1H	RF
416T2010-2		1	5	
416T2010-3		1	1A	RF
416T2010-4		1	1B	RF
416T2010-5		1	1C	RF
416T2010-6		1	1D	RF
416T2010-7		1	1E	RF
416T2010-8		1	1F	RF
416T2010-9		1	1G	RF
416T2014-1		1	30	1
416T2014-2		1	35	1
416T2015-1		1	90	1
416T2015-2		1	95	1
416T2016-1		1	75	1
416T2016-2		1	77	1
416T2016-3		1	80	1
416T2016-4		1	82	1
416T2017-1		1	380	1
416T2017-2		1	382	1
416T2018-1		1	135	1
416T2018-2		1	137	1
416T2018-3		1	140	1
416T2018-4		1	142	1
416T2019-3		1	390	1
416T2019-4		1	395	1
416T2020-1		1	200	1
416T2020-2		1	205	1
416T2020-3		1	470	1
416T2020-4		1	475	1
416T2020-5		1	335	1

25-65-55

 ILLUSTRATED PARTS LIST
 01.1 Page 1007
 Jan 01/92

PART NUMBER	AIRLINE PART NO.	FIG.	ITEM	TTL REQ
416T2020-6		1	340	1
416T2020-7		1	280	1
416T2021-10		1	450	1
416T2021-11		1	430	1
416T2021-12		1	435	1
416T2021-13		1	440	1
416T2021-14		1	250	8
416T2021-15		1	415	1
416T2021-16		1	420	1
416T2021-17		1	310	1
416T2021-18		1	315	1
416T2021-19		1	150	1
416T2021-20		1	155	1
416T2021-21		1	260A	1
416T2021-22		1	262	1
416T2021-3		1	175	1
416T2021-4		1	180	1
416T2021-5		1	245	2
416T2021-6		1	252	2
416T2021-7		1	260	
416T2021-8		1	425	1
416T2021-9		1	445	1
416T2023-1		1	345	3
416T2024-1		1	480	1
416T2024-2		1	485	1
416T2024-27		1	480A	1
416T2024-28		1	485A	1
416T2025-1		1	85	1
		1	145	1
		1	385	1
416T2025-2		1	87	1
		1	147	1
		1	387	1
416T2134-1		1	215	1
		1	220	1
416T2134-2		1	210	1
		1	225	1
416T2804-1		1	285B	4
416T2804-2		1	301	1
69B52040-2		1	70	1
		1	130	1
		1	375	1
69B52041-1		1	65	1
		1	125	1
		1	370	1
69B52048-1		1	305	2

25-65-55

 ILLUSTRATED PARTS LIST
 01.1 Page 1008
 Jan 01/92


BOEING
 COMPONENT
 MAINTENANCE MANUAL

PART NUMBER	AIRLINE PART NO.	FIG.	ITEM	TTL REQ
69B52063-1		1	83	1
		1	143	1
		1	383	1
69B52063-2		1	88	2
		1	148	2
		1	388	2
940CW22-8		1	10	1
96-02		1	256	A9
		1	300	A9
96-048		1	25	A9
		1	55	A9
		1	115	A9
		1	240	A9
		1	360	A9
96-82		1	410	A9
		1	170	A9
		1	195	A9
		1	275	A9
		1	330	A9
		1	465	A9

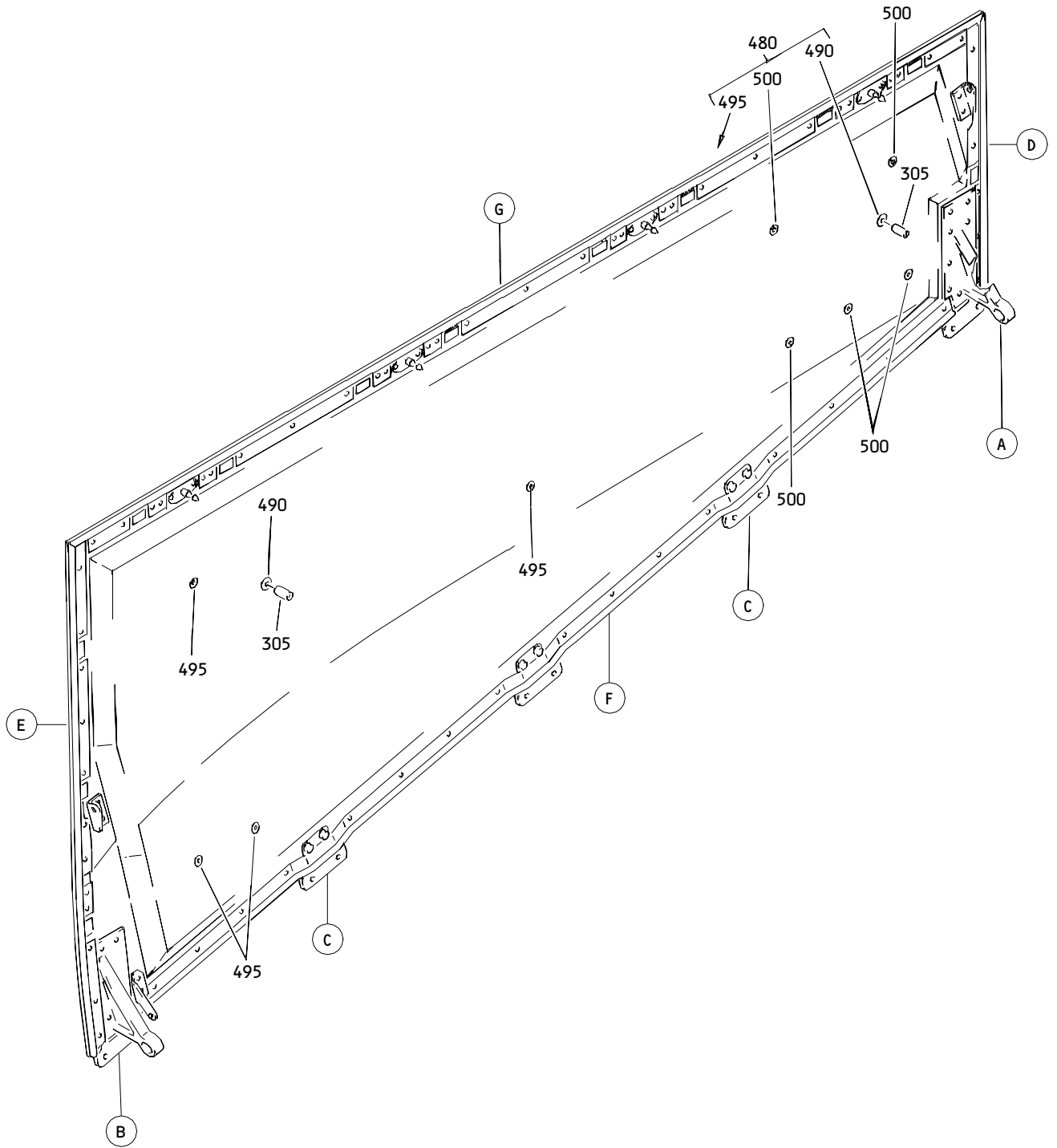
25-65-55

ILLUSTRATED PARTS LIST

01.1

Page 1009

Jan 01/92



Off Wing Escape System Slide Compartment Door Assembly
Figure 1 (Sheet 1)

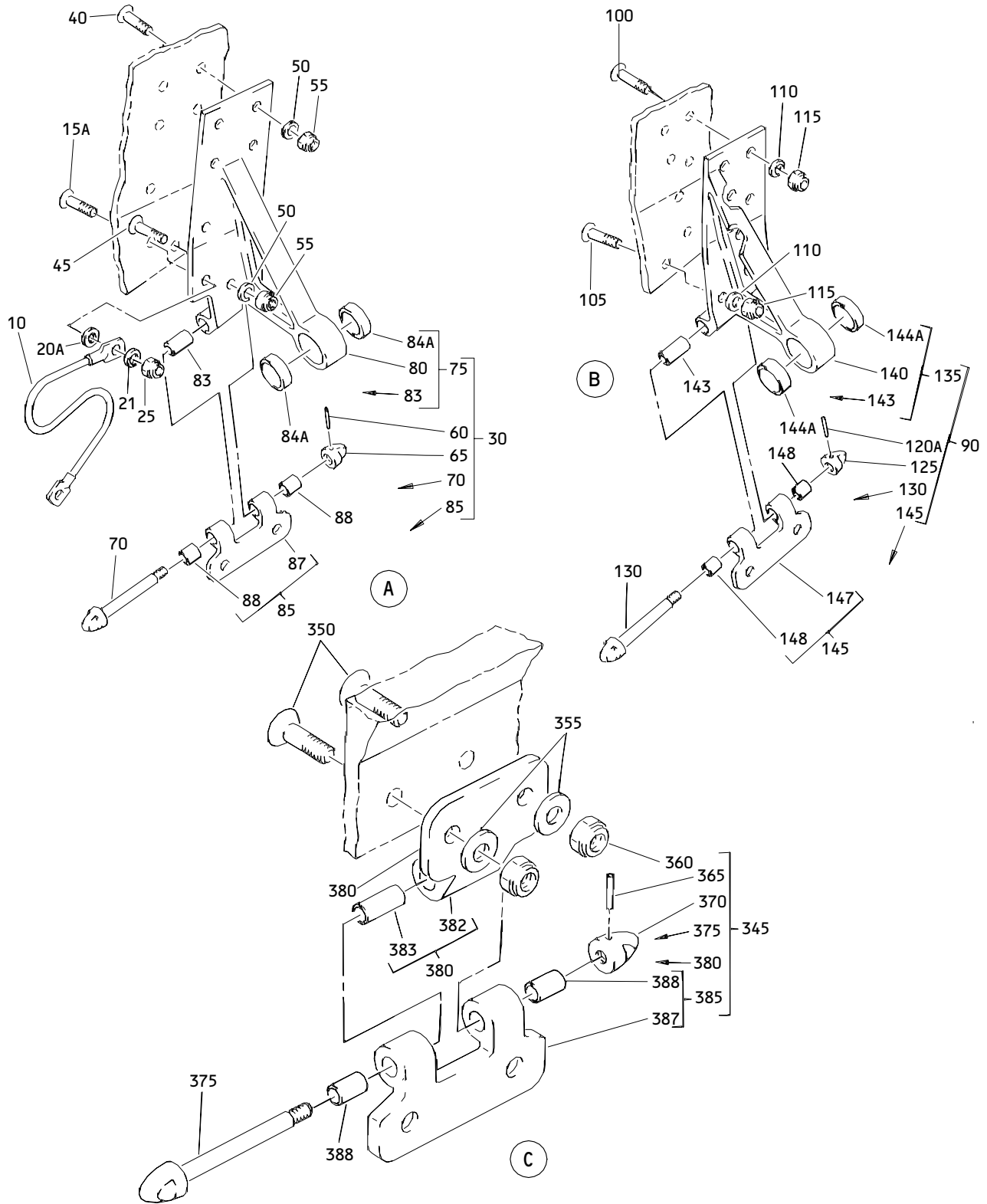
25-65-55

ILLUSTRATED PARTS LIST

01.1

Page 1011

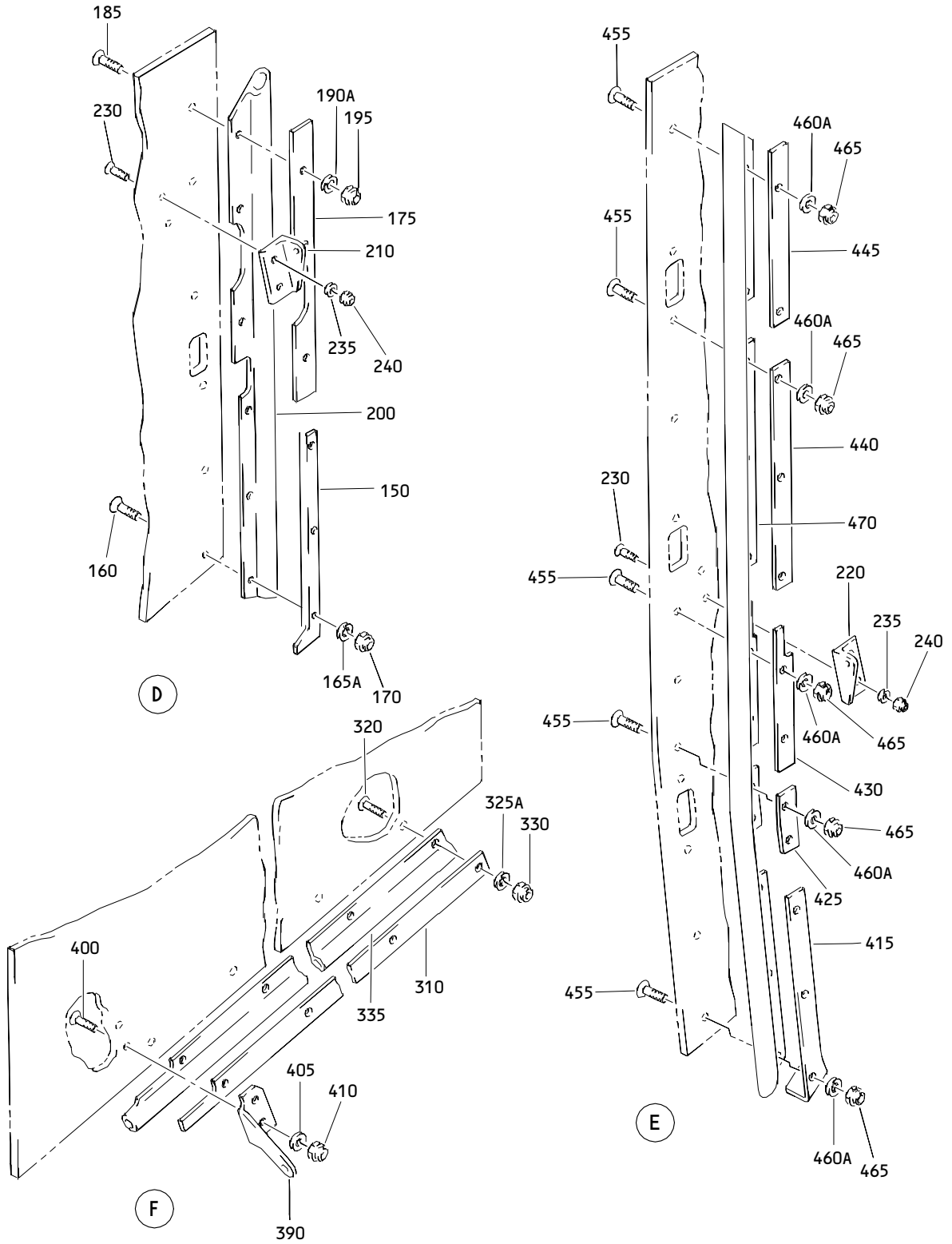
Jan 01/92



Off Wing Escape System Slide Compartment Door Assembly
 Figure 1 (Sheet 2)

25-65-55

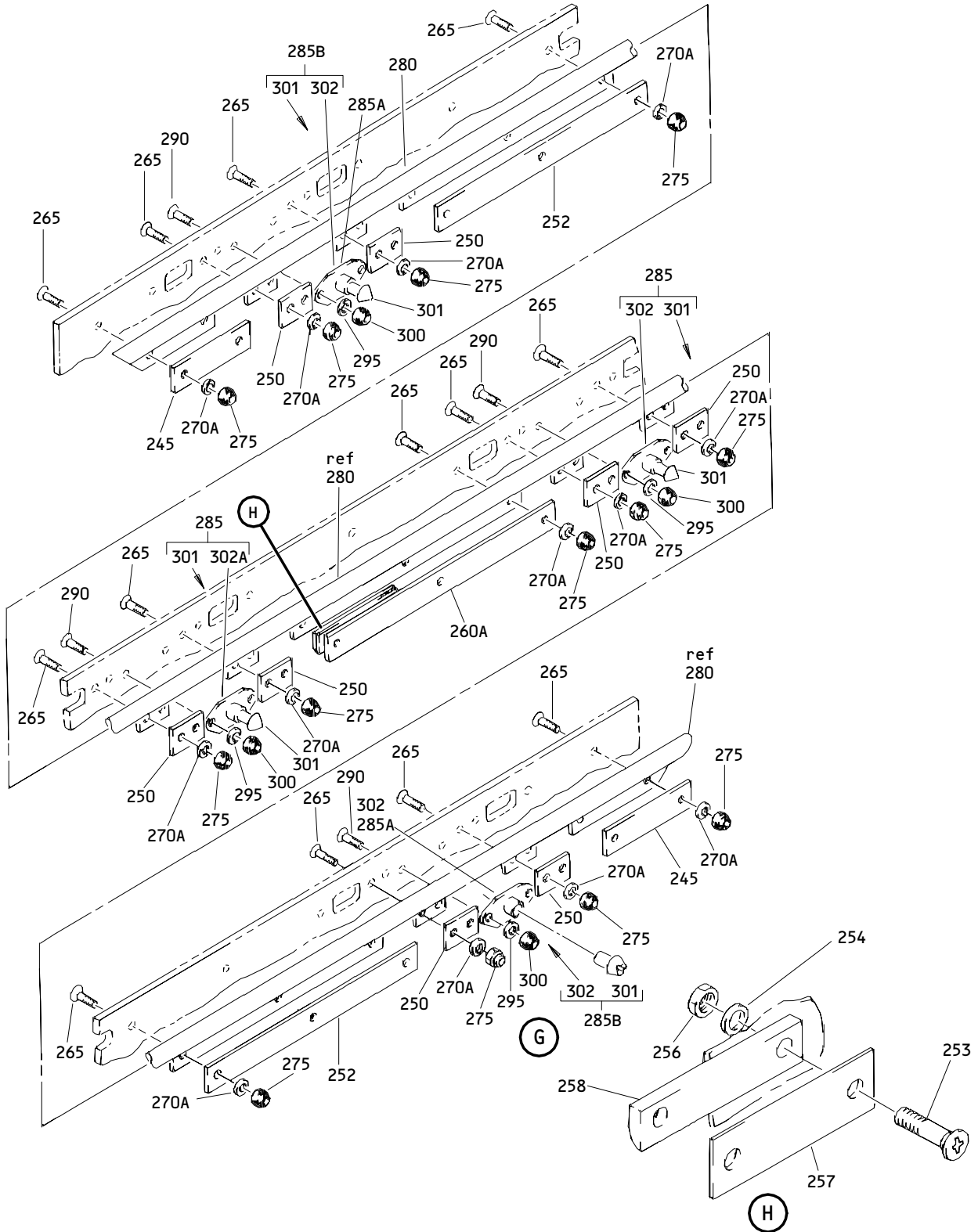
ILLUSTRATED PARTS LIST
 01.1 Page 1012
 Jan 01/92



Off Wing Escape System Slide Compartment Door Assembly
Figure 1 (Sheet 3)

25-65-55

ILLUSTRATED PARTS LIST
01.1 Page 1013
Jan 01/92



Off Wing Escape System Slide Compartment Door Assembly
 Figure 1 (Sheet 4)

25-65-55

ILLUSTRATED PARTS LIST
 01.1 Page 1014
 Jul 01/92


BOEING
 COMPONENT
 MAINTENANCE MANUAL

FIG. & ITEM	PART NO.	AIRLINE PART NUMBER	NOMENCLATURE 1234567	EFF CODE	QTY PER ASSY
01-			DELETED		
-1	416T2010-1		DELETED		
-1A	416T2010-3		DOOR ASSY-OFF-WING ESCAPE SYS SLIDE COMPT (LH)	A	RF
-1B	416T2010-4		DOOR ASSY-OFF-WING ESCAPE SYS SLIDE COMPT (RH)	B	RF
-1C	416T2010-5		DOOR ASSY-OFF-WING ESCAPE SYS SLIDE COMPT (LH)	C	RF
-1D	416T2010-6		DOOR ASSY-OFF-WING ESCAPE SYS SLIDE COMPT (RH)	D	RF
-1E	416T2010-7		DOOR ASSY-OFF-WING ESCAPE SYS SLIDE COMPT (LH)	E	RF
-1F	416T2010-8		DOOR ASSY-OFF-WING ESCAPE SYS SLIDE COMPT (RH)	F	RF
-1G	416T2010-9		DOOR ASSY-OFF-WING ESCAPE SYS SLIDE COMPT (LH)	G	RF
-1H	416T2010-10		DOOR ASSY-OFF-WING ESCAPE SYS SLIDE COMPT (RH)	H	RF
-5	416T2010-2		DELETED		
10	940CW22-8		.JUMPER ASSY- (V91812) (SPEC BACJ40AB22-8) ATTACHING PARTS		1
15	BACB30LH4-9		DELETED		
15A	BACB30LH4-10		.BOLT- (V06710) (SPEC BACB30LH4-10) (OPT BACB30LH4-10 (V06725)) (OPT BACB30LH4-10 (V06950)) (OPT BACB30LH4-10 (V08524)) (OPT BACB30LH4-10 (V17943)) (OPT BACB30LH4-10 (V27624)) (OPT BACB30LH4-10 (V80539)) (OPT BACB30LH4-10 (V92215)) (OPT BACB30LH4-10 (V97928))		1
20	AN960PD416L		DELETED		
20A	AN960-416L		.WASHER		1
21	AN960D416L		.WASHER		1

25-65-55

 ILLUSTRATED PARTS LIST
 01.1 Page 1015
 Jan 01/92

FIG. & ITEM	PART NO.	AIRLINE PART NUMBER	NOMENCLATURE 1234567	EFF CODE	QTY PER ASSY
01-25	H10-4BAC		.NUT- (V15653) (SPEC BACN10JC4) (OPT NS202101-048 (V80539)) (OPT RMLH9075-4W (V72962)) (OPT T6S428J (V71087)) (OPT VN303A048 (V92215)) (OPT 96-048 (V80539)) (OPT BRH10A4 (V52828)) -----*-----		AR
30	416T2014-1		.HINGE ASSY-FWD	A,C,E	1
-35	416T2014-2		.HINGE ASSY-FWD	G B,D,F	1
40	BACB30NN4K6		ATTACHING PARTS .BOLT- (V06710) (SPEC BACB30NN4K6) (OPT BACB30NN4K6 (V06725)) (OPT BACB30NN4K6 (V06950)) (OPT BACB30NN4K6 (V08524)) (OPT BACB30NN4K6 (V27624)) (OPT BACB30NN4K6 (V56878)) (OPT BACB30NN4K6 (V73197)) (OPT BACB30NN4K6 (V80539)) (OPT BACB30NN4K6 (V92215)) (OPT BACB30NN4K6 (V93907)) (OPT BACB30NN4K6 (V97928))	H	5

25-65-55

 ILLUSTRATED PARTS LIST
 01.1 Page 1016
 Jan 01/92

BOEING
 COMPONENT
 MAINTENANCE MANUAL

FIG. & ITEM	PART NO.	AIRLINE PART NUMBER	NOMENCLATURE	EFF CODE	QTY PER ASSY
			1234567		
01-45	BACB30NN4K9		.BOLT- (V06710) (SPEC BACB30NN4K9) (OPT BACB30NN4K9 (V06725)) (OPT BACB30NN4K9 (V06950)) (OPT BACB30NN4K9 (V08524)) (OPT BACB30NN4K9 (V27624)) (OPT BACB30NN4K9 (V56878)) (OPT BACB30NN4K9 (V73197)) (OPT BACB30NN4K9 (V80539)) (OPT BACB30NN4K9 (V92215)) (OPT BACB30NN4K9 (V93907)) (OPT BACB30NN4K9 (V97928))		1
50	AN960PD416		.WASHER		6
55	H10-4BAC		.NUT- (V15653) (SPEC BACN10JC4) (OPT NS202101-048 (V80539)) (OPT RMLH9075-4W (V72962)) (OPT T6S428J (V71087)) (OPT VN303A048 (V92215)) (OPT 96-048 (V80539)) (OPT BRH10A4 (V52828))		AR
60	MS16562-193		-----*		
65	69B52041-1		..PIN-SPR		1
70	69B52040-2		..CAP		1
75	416T2016-1		..PIN		1
			..HINGE ASSY-FWD UPR	A,C,E G	1

25-65-55

FIG. & ITEM	PART NO.	AIRLINE PART NUMBER	NOMENCLATURE 1234567	EFF CODE	QTY PER ASSY
01- -77	416T2016-2		..HINGE ASSY-FWD UPR	B,D,F ,H	1
80	416T2016-3		...HINGE	A,C,E ,G	1
-82	416T2016-4		...HINGE	B,D,F ,H	1
83	69B52063-1		...BUSHING		1
84	BACB28Y10M14		DELETED		
84A	BACB28Y10M014		...BUSHING (OPT ITEM 84B)		2
-84B	BACB28U10B014		...BUSHING- (OPT ITEM 84A)		2
85	416T2025-1		..HINGE ASSY-LWR		1
87	416T2025-2		...HINGE		1
88	69B52063-2		...BUSHING		2
90	416T2015-1		.HINGE ASSY-AFT	A,C,E ,G	1
-95	416T2015-2		.HINGE ASSY-AFT	B,D,F ,H	1
100	BACB30NN4K6		ATTACHING PARTS .BOLT- (V06710) (SPEC BACB30NN4K6) (OPT BACB30NN4K6 (V06725)) (OPT BACB30NN4K6 (V06950)) (OPT BACB30NN4K6 (V08524)) (OPT BACB30NN4K6 (V27624)) (OPT BACB30NN4K6 (V56878)) (OPT BACB30NN4K6 (V73197)) (OPT BACB30NN4K6 (V80539)) (OPT BACB30NN4K6 (V92215)) (OPT BACB30NN4K6 (V93907)) (OPT BACB30NN4K6 (V97928))		6

25-65-55

 ILLUSTRATED PARTS LIST
 01.1 Page 1018
 Jan 01/92


BOEING
 COMPONENT
 MAINTENANCE MANUAL

FIG. & ITEM	PART NO.	AIRLINE PART NUMBER	NOMENCLATURE 1234567	EFF CODE	QTY PER ASSY
01-105	BACB30NN4K9		.BOLT- (V06710) (SPEC BACB30NN4K9) (OPT BACB30NN4K9 (V06725)) (OPT BACB30NN4K9 (V06950)) (OPT BACB30NN4K9 (V08524)) (OPT BACB30NN4K9 (V27624)) (OPT BACB30NN4K9 (V56878)) (OPT BACB30NN4K9 (V73197)) (OPT BACB30NN4K9 (V80539)) (OPT BACB30NN4K9 (V92215)) (OPT BACB30NN4K9 (V93907)) (OPT BACB30NN4K9 (V97928))		1
110	AN960PD416		.WASHER		7
115	H10-4BAC		.NUT- (V15653) (SPEC BACN10JC4) (OPT NS202101-048 (V80539)) (OPT RMLH9075-4W (V72962)) (OPT T6S428J (V71087)) (OPT VN303A048 (V92215)) (OPT 96-048 (V80539)) (OPT BRH10A4 (V52828)) -----*		AR

25-65-55

ILLUSTRATED PARTS LIST

01.1

Page 1019

Jan 01/92

FIG. & ITEM	PART NO.	AIRLINE PART NUMBER	NOMENCLATURE 1234567	EFF CODE	QTY PER ASSY
01-					
120	MS16265-193		DELETED		
120A	MS16562-193		..PIN-SPR		1
125	69B52041-1		..CAP		1
130	69B52040-2		..PIN		1
135	416T2018-1		..HINGE ASSY-AFT UPR	A,C,E ,G	1
-137	416T2018-2		..HINGE ASSY-AFT UPR	B,D,F ,H	1
140	416T2018-3		...HINGE	A,C,E ,G	1
-142	416T2018-4		...HINGE	B,D,F ,H	1
143	69B52063-1		...BUSHING		1
144	BACB28Y10M14		DELETED		
144A	BACB28Y10M014		...BUSHING (OPT ITEM 144B)		2
-144B	BACB28U10B014		...BUSHING- (OPT ITEM 144A)		2
145	416T2025-1		..HINGE ASSY-LWR		1
147	416T2025-2		...HINGE		1
148	69B52063-2		...BUSHING		2
150	416T2021-19		.RETAINER-SEAL	A,C,E ,G	1
-155	416T2021-20		.RETAINER-SEAL	B,D,F ,H	1
160	BACB30LH2-5		ATTACHING PARTS .BOLT- (V06710) (SPEC BACB30LH2-5) (OPT BACB30LH2-5 (V06725)) (OPT BACB30LH2-5 (V06950)) (OPT BACB30LH2-5 (V08524)) (OPT BACB30LH2-5 (V17943)) (OPT BACB30LH2-5 (V27624)) (OPT BACB30LH2-5 (V80539)) (OPT BACB30LH2-5 (V92215)) (OPT BACB30LH2-5 (V97928))		3

25-65-55

 ILLUSTRATED PARTS LIST
 01.1 Page 1020
 Jan 01/92

BOEING
 COMPONENT
 MAINTENANCE MANUAL

FIG. & ITEM	PART NO.	AIRLINE PART NUMBER	NOMENCLATURE 1234567	EFF CODE	QTY PER ASSY
01- 165 165A 170	AN960PD08 AN960PD8 H10-08BAC		DELETED .WASHER .NUT- (V15653) (SPEC BACN10JC08) (OPT NS202101-82 (V80539)) (OPT RMLH9075-82W (V72962)) (OPT T6S832J (V71087)) (OPT VN303A82 (V92215)) (OPT 96-82 (V80539)) (OPT BRH10A08 (V52828)) (OPT T6S832J (V11815)) -----*		3 AR
175	416T2021-3		.RETAINER-SEAL	A,C,E ,G	1
-180	416T2021-4		.RETAINER-SEAL	B,D,F ,H	1
185	BACB30LH2-5		ATTACHING PARTS .BOLT- (V06710) (SPEC BACB30LH2-5) (OPT BACB30LH2-5 (V06725)) (OPT BACB30LH2-5 (V06950)) (OPT BACB30LH2-5 (V08524)) (OPT BACB30LH2-5 (V17943)) (OPT BACB30LH2-5 (V27624)) (OPT BACB30LH2-5 (V80539)) (OPT BACB30LH2-5 (V92215)) (OPT BACB30LH2-5 (V97928))		3

25-65-55

ILLUSTRATED PARTS LIST
 01.1 Page 1021
 Jan 01/92

FIG. & ITEM	PART NO.	AIRLINE PART NUMBER	NOMENCLATURE 1234567	EFF CODE	QTY PER ASSY
01- 190 190A 195	AN960PD08 AN960PD8 H10-08BAC		DELETED .WASHER .NUT- (V15653) (SPEC BACN10JC08) (OPT NS202101-82 (V80539)) (OPT RMLH9075-82W (V72962)) (OPT T6S832J (V71087)) (OPT VN303A82 (V92215)) (OPT 96-82 (V80539)) (OPT BRH10A08 (V52828)) (OPT T6S832J (V11815)) -----*-----		3 AR
200	416T2020-1		.SEAL	A,C,E ,G	1
-205	416T2020-2		.SEAL	B,D,F ,H	1
210	416T2134-2		.BRACKET	A,C,E ,G	1
-215	416T2134-1		.BRACKET	B,D,F ,H	1
220	416T2134-1		.BRACKET	A,C,E ,G	1
-225	416T2134-2		.BRACKET	B,D,F ,H	1

25-65-55

 ILLUSTRATED PARTS LIST
 01.1 Page 1022
 Jan 01/92


BOEING
 COMPONENT
 MAINTENANCE MANUAL

FIG. & ITEM	PART NO.	AIRLINE PART NUMBER	NOMENCLATURE 1234567	EFF CODE	QTY PER ASSY
01-					
230	BACB30NN4K6		ATTACHING PARTS .BOLT- (V06710) (SPEC BACB30NN4K6) (OPT BACB30NN4K6 (V06725)) (OPT BACB30NN4K6 (V06950)) (OPT BACB30NN4K6 (V08524)) (OPT BACB30NN4K6 (V27624)) (OPT BACB30NN4K6 (V56878)) (OPT BACB30NN4K6 (V73197)) (OPT BACB30NN4K6 (V80539)) (OPT BACB30NN4K6 (V92215)) (OPT BACB30NN4K6 (V93907)) (OPT BACB30NN4K6 (V97928))		4
235	AN960PD416		.WASHER		4
240	H10-4BAC		.NUT- (V15653) (SPEC BACN10JC4) (OPT NS202101-048 (V80539)) (OPT RMLH9075-4W (V72962)) (OPT T6S428J (V71087)) (OPT VN303A048 (V92215)) (OPT 96-048 (V80539)) (OPT BRH10A4 (V52828)) -----*		AR
245	416T2021-5		.RETAINER-SEAL		2
250	416T2021-14		.RETAINER-SEAL		8
252	416T2021-6		.RETAINER-SEAL		2

25-65-55

ILLUSTRATED PARTS LIST

01.1

Page 1023

Jan 01/92

FIG. & ITEM	PART NO.	AIRLINE PART NUMBER	NOMENCLATURE 1234567	EFF CODE	QTY PER ASSY
01-253	BACB30NN3K7		.BOLT- (V06710) (SPEC BACB30NN3K7) (OPT BACB30NN3K7 (V06725)) (OPT BACB30NN3K7 (V06950)) (OPT BACB30NN3K7 (V08524)) (OPT BACB30NN3K7 (V27624)) (OPT BACB30NN3K7 (V56878)) (OPT BACB30NN3K7 (V73197)) (OPT BACB30NN3K7 (V80539)) (OPT BACB30NN3K7 (V92215)) (OPT BACB30NN3K7 (V93907)) (OPT BACB30NN3K7 (V97928))		2
254	AN960C10L		.WASHER		2
256	H10-3BAC		.NUT- (V15653) (SPEC BACN10JC3) (OPT NS202101-02 (V80539)) (OPT RMLH9075-3W (V72962)) (OPT T6S1032J (V71087)) (OPT VN303A02 (V92215)) (OPT 96-02 (V80539)) (OPT BRH10A3 (V52828))		AR
257	284T0493-1		.TARGET		1
258	284T0494-1		.SPACER		1
260	416T2021-7		DELETED		
260A	416T2021-21		.RETAINER-SEAL	A,C,E ,G	1

25-65-55

ILLUSTRATED PARTS LIST

01.1

Page 1024

Jan 01/92

BOEING
 COMPONENT
 MAINTENANCE MANUAL

FIG. & ITEM	PART NO.	AIRLINE PART NUMBER	NOMENCLATURE 1234567	EFF CODE	QTY PER ASSY
01- -262	416T2021-22		.RETAINER-SEAL	B,D,F ,H	1
265	BACB30LH2-5		ATTACHING PARTS .BOLT- (V06710) (SPEC BACB30LH2-5) (OPT BACB30LH2-5 (V06725)) (OPT BACB30LH2-5 (V06950)) (OPT BACB30LH2-5 (V08524)) (OPT BACB30LH2-5 (V17943)) (OPT BACB30LH2-5 (V27624)) (OPT BACB30LH2-5 (V80539)) (OPT BACB30LH2-5 (V92215)) (OPT BACB30LH2-5 (V97928))		29
270	AN960PD08		DELETED		
270A	AN960PD8		.WASHER		29
275	H10-08BAC		.NUT- (V15653) (SPEC BACN10JC08) (OPT NS202101-82 (V80539)) (OPT RMLH9075-82W (V72962)) (OPT T6S832J (V71087)) (OPT VN303A82 (V92215)) (OPT 96-82 (V80539)) (OPT BRH10A08 (V52828)) (OPT T6S832J (V11815)) -----*		AR

25-65-55

ILLUSTRATED PARTS LIST
 01.1 Page 1025
 Jan 01/92

FIG. & ITEM	PART NO.	AIRLINE PART NUMBER	NOMENCLATURE 1234567	EFF CODE	QTY PER ASSY
01-280	416T2020-7		.SEAL		1
-285	H2055-5		.KEEPER ASSY- (V83014) (PRE SB 767-25A0174)	A,B	4
285A	H2055-7		.KEEPER ASSY- (V83014) (PRE SB 767-25A0174)	E,F,G ,H	4
-285B	416T2804-1		.KEEPER ASSY- (PRE SB 767-25A0174)	C,D	4
-285C	42055-9		.KEEPER ASSY- (V83014) (POST SB 767-25A0174)		4
290	BACB30NN3K5		ATTACHING PARTS .BOLT- (V06710) (SPEC BACB30NN3K5) (OPT BACB30NN3K5 (V06725)) (OPT BACB30NN3K5 (V06950)) (OPT BACB30NN3K5 (V08524)) (OPT BACB30NN3K5 (V27624)) (OPT BACB30NN3K5 (V56878)) (OPT BACB30NN3K5 (V73197)) (OPT BACB30NN3K5 (V80539)) (OPT BACB30NN3K5 (V92215)) (OPT BACB30NN3K5 (V93907)) (OPT BACB30NN3K5 (V97928))		8

25-65-55

ILLUSTRATED PARTS LIST

01.1

Page 1026

Jul 01/92

BOEING
 COMPONENT
 MAINTENANCE MANUAL

FIG. & ITEM	PART NO.	AIRLINE PART NUMBER	NOMENCLATURE	EFF CODE	QTY PER ASSY
			1234567		
01- 295 300	AN960PD10 H10-3BAC		.WASHER .NUT- (V15653) (SPEC BACN10JC3) (OPT NS202101-02 (V80539)) (OPT RMLH9075-3W (V72962)) (OPT T6S1032J (V71087)) (OPT VN303A02 (V92215)) (OPT 96-02 (V80539)) (OPT BRH10A3 (V52828)) -----*		8 AR
301	416T2804-2		..PIN-KEEPER (OPT ITEM 301A) (USED ON ITEM 285B)	C,D	1
-301A	115110-1		..PIN-KEEPER (V83014) (OPT ITEM 301) (USED ON ITEM 285B)	C,D	1
302 302A	H2055-5 H2055-7		DELETED ..KEEPER ASSY- (V83014) (USED ON ITEM 285B)	C,D	1
305 310	69B52048-1 416T2021-17		.PIN .RETAINER-SEAL	A,C,G	2 1

25-65-55

FIG. & ITEM	PART NO.	AIRLINE PART NUMBER	NOMENCLATURE 1234567	EFF CODE	QTY PER ASSY
01- -315	416T2021-18		.RETAINER-SEAL ATTACHING PARTS	B,D,H	1
320	BACB30LH2-5		.BOLT- (V06710) (SPEC BACB30LH2-5) (OPT BACB30LH2-5 (V06725)) (OPT BACB30LH2-5 (V06950)) (OPT BACB30LH2-5 (V08524)) (OPT BACB30LH2-5 (V17943)) (OPT BACB30LH2-5 (V27624)) (OPT BACB30LH2-5 (V80539)) (OPT BACB30LH2-5 (V92215)) (OPT BACB30LH2-5 (V97928))		16
325	AN960PD08		DELETED		
325A	AN960PD8		.WASHER		16
330	H10-08BAC		.NUT- (V15653) (SPEC BACN10JC08) (OPT NS202101-82 (V80539)) (OPT RMLH9075-82W (V72962)) (OPT T6S832J (V71087)) (OPT VN303A82 (V92215)) (OPT 96-82 (V80539)) (OPT BRH10A08 (V52828)) (OPT T6S832J (V11815)) -----*		AR

25-65-55

 ILLUSTRATED PARTS LIST
 01.1 Page 1028
 Jan 01/92


BOEING
 COMPONENT
 MAINTENANCE MANUAL

FIG. & ITEM	PART NO.	AIRLINE PART NUMBER	NOMENCLATURE 1234567	EFF CODE	QTY PER ASSY
01-335	416T2020-5		.SEAL	A,C,E	1
-340	416T2020-6		.SEAL	G B,D,F	1
345	416T2023-1		.HINGE ASSY-CTR ATTACHING PARTS	H	3
350	BACB30NN4K6		.BOLT- (V06710) (SPEC BACB30NN4K6) (OPT BACB30NN4K6 (V06725)) (OPT BACB30NN4K6 (V06950)) (OPT BACB30NN4K6 (V08524)) (OPT BACB30NN4K6 (V27624)) (OPT BACB30NN4K6 (V56878)) (OPT BACB30NN4K6 (V73197)) (OPT BACB30NN4K6 (V80539)) (OPT BACB30NN4K6 (V92215)) (OPT BACB30NN4K6 (V93907)) (OPT BACB30NN4K6 (V97928))		6

25-65-55

ILLUSTRATED PARTS LIST

01.1

Page 1029

Jan 01/92

FIG. & ITEM	PART NO.	AIRLINE PART NUMBER	NOMENCLATURE 1234567	EFF CODE	QTY PER ASSY
01- 355 360	AN960PD416 H10-4BAC		.WASHER .NUT- (V15653) (SPEC BACN10JC4) (OPT NS202101-048 (V80539)) (OPT RMLH9075-4W (V72962)) (OPT T6S428J (V71087)) (OPT VN303A048 (V92215)) (OPT 96-048 (V80539)) (OPT BRH10A4 (V52828)) -----*-----		6 AR
365	MS16562-193		..PIN		1
370	69B52041-1		..CAP		1
375	69B52040-2		..PIN		1
380	416T2017-1		..HINGE ASSY-CTR UPR		1
382	416T2017-2		...HINGE		1
383	69B52063-1		...BUSHING		1
385	416T2025-1		..HINGE ASSY-LWR		1
387	416T2025-2		...HINGE		1
388	69B52063-2		...BUSHING		2

25-65-55

 ILLUSTRATED PARTS LIST
 01.1 Page 1030
 Jan 01/92

BOEING
 COMPONENT
 MAINTENANCE MANUAL

FIG. & ITEM	PART NO.	AIRLINE PART NUMBER	NOMENCLATURE 1234567	EFF CODE	QTY PER ASSY
01-390	416T2019-3		.BRACKET	A,C,E	1
-395	416T2019-4		.BRACKET	B,D,F	1
400	BACB30NN4K5		ATTACHING PARTS .BOLT- (V06710) (SPEC BACB30NN4K5) (OPT BACB30NN4K5 (V06725)) (OPT BACB30NN4K5 (V06950)) (OPT BACB30NN4K5 (V08524)) (OPT BACB30NN4K5 (V27624)) (OPT BACB30NN4K5 (V56878)) (OPT BACB30NN4K5 (V73197)) (OPT BACB30NN4K5 (V80539)) (OPT BACB30NN4K5 (V92215)) (OPT BACB30NN4K5 (V93907)) (OPT BACB30NN4K5 (V97928))		2
405	AN960PD416		.WASHER		2
410	H10-4BAC		.NUT- (V15653) (SPEC BACN10JC4) (OPT NS202101-048 (V80539)) (OPT RMLH9075-4W (V72962)) (OPT T6S428J (V71087)) (OPT VN303A048 (V92215)) (OPT 96-048 (V80539)) (OPT BRH10A4 (V52828)) -----*		AR

25-65-55

ILLUSTRATED PARTS LIST
 01.1 Page 1031
 Jan 01/92

FIG. & ITEM	PART NO.	AIRLINE PART NUMBER	NOMENCLATURE 1234567	EFF CODE	QTY PER ASSY
01-415	416T2021-15		.RETAINER-SEAL	A,C,E ,G	1
-420	416T2021-16		.RETAINER-SEAL	B,D,F ,H	1
425	416T2021-8		.RETAINER-SEAL		1
430	416T2021-11		.RETAINER-SEAL	A,C,E ,G	1
-435	416T2021-12		.RETAINER-SEAL	B,D,F ,H	1
440	416T2021-13		.RETAINER-SEAL		1
445	416T2021-9		.RETAINER-SEAL	A,C,E ,G	1
-450	416T2021-10		.RETAINER-SEAL	B,D,F ,H	1
455	BACB30LH2-5		ATTACHING PARTS .BOLT- (V06710) (SPEC BACB30LH2-5) (OPT BACB30LH2-5 (V06725)) (OPT BACB30LH2-5 (V06950)) (OPT BACB30LH2-5 (V08524)) (OPT BACB30LH2-5 (V17943)) (OPT BACB30LH2-5 (V27624)) (OPT BACB30LH2-5 (V80539)) (OPT BACB30LH2-5 (V92215)) (OPT BACB30LH2-5 (V97928))		12

25-65-55

 ILLUSTRATED PARTS LIST
 01.1 Page 1032
 Jan 01/92

BOEING
 COMPONENT
 MAINTENANCE MANUAL

FIG. & ITEM	PART NO.	AIRLINE PART NUMBER	NOMENCLATURE	EFF CODE	QTY PER ASSY
			1234567		
01- 460 460A 465	AN960PD08 AN960PD8 H10-08BAC		DELETED .WASHER .NUT- (V15653) (SPEC BACN10JC08) (OPT NS202101-82 (V80539)) (OPT RMLH9075-82W (V72962)) (OPT T6S832J (V71087)) (OPT VN303A82 (V92215)) (OPT 96-82 (V80539)) (OPT BRH10A08 (V52828)) (OPT T6S832J (V11815)) -----*-----		12 AR
470	416T2020-3		.SEAL	A,C,E ,G	1
-475	416T2020-4		.SEAL	B,D,F ,H	1
480	416T2024-1		.PANEL ASSY	A,C,E	1
-480A	416T2024-27		.PANEL ASSY	G	1
-485	416T2024-2		.PANEL ASSY	B,D,F	1
-485A	416T2024-28		.PANEL ASSY	H	1
490	NAS1832C3-3		..INSERT		2
495	NAS1834C4K790		..INSERT		4
500	NAS1834C4K820		..INSERT		5

25-65-55

ILLUSTRATED PARTS LIST
 01.1 Page 1033
 Jan 01/92